



Bird Feeder



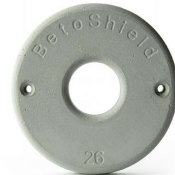
With Wi-Fi Camera



Semi-Cavity Nesters ↑
Cavity Nesters ↓



ø 25 mm



ø 26 mm



ø 27 mm



ø 28 mm



ø 30 mm



ø 45 x 30 mm



ø 32 mm



ø 33 mm



ø 34 mm



ø 35 mm



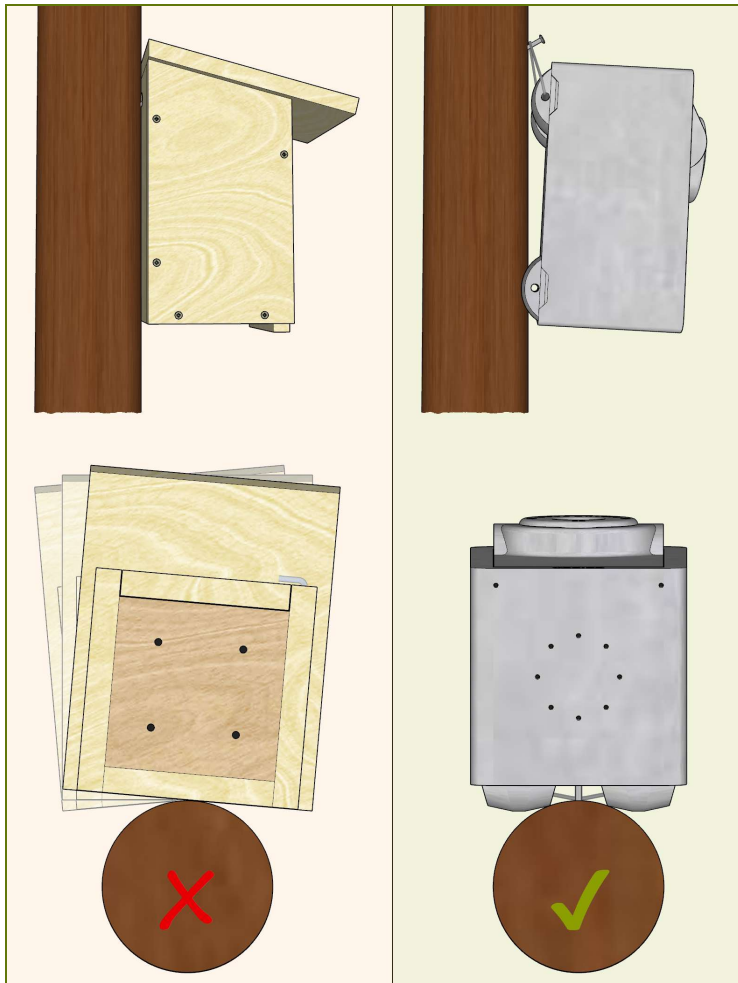
ø 36 mm



ø 45 mm

Patented Mounting

The 3-point mounting system increases the attractiveness for birds by allowing the VARIKA to be hung securely and wobble-free with a single nail, even on difficult surfaces like tree trunks.



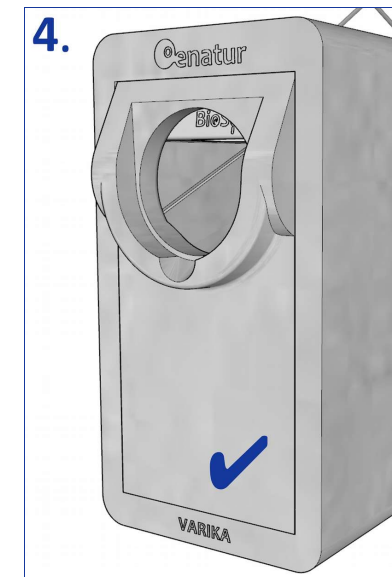
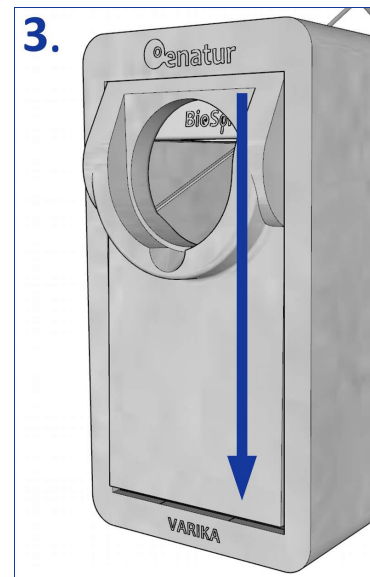
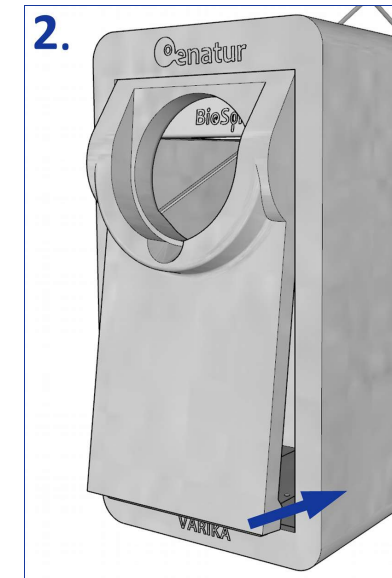
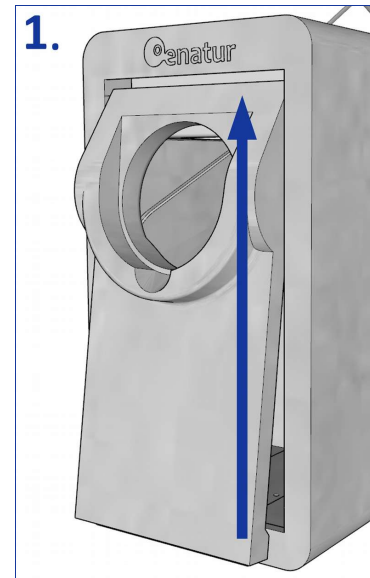
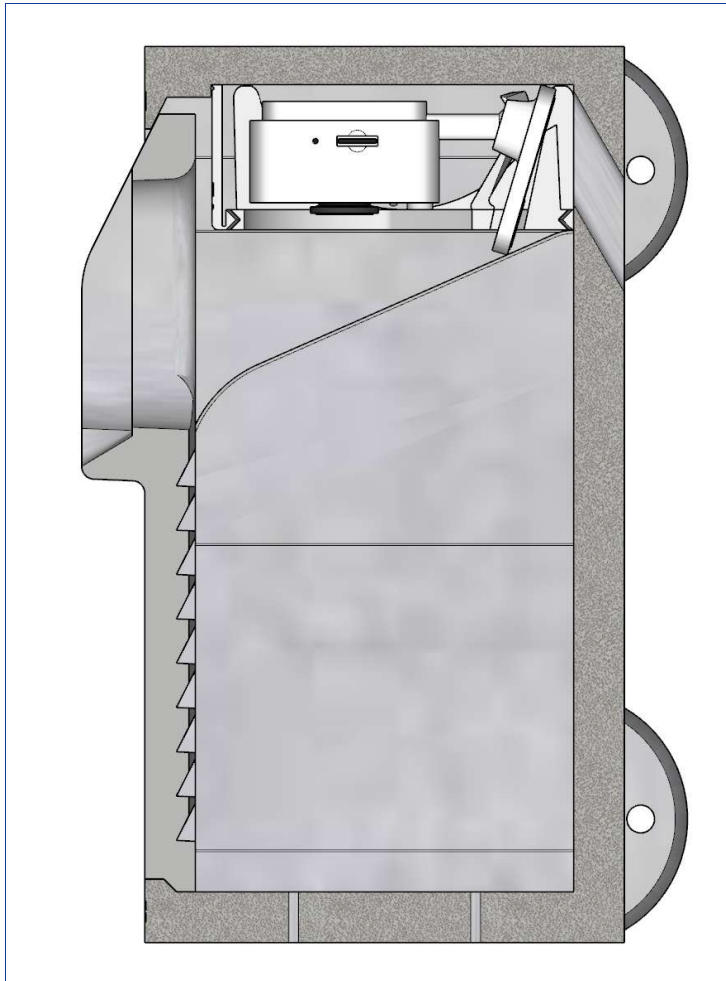
On flat surfaces like house walls, rear ventilation is guaranteed at all times. This prevents the formation of mold, algae, moss, or unsightly dirt.



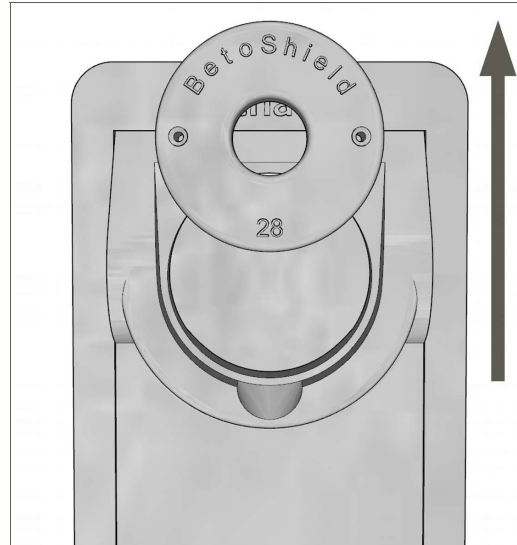
Patented Front System

The front panel can be easily inserted and removed without any tools.

What's more, you do not need any extra parts like hooks, screws, or locking levers.



Patent Pending Entrance Exchange System



Resource efficient and adaptable:

The VARIKA is fully compatible with our BetoShield® Pro entrance rings, which you can exchange without any tools thanks to the entrance exchange system.

← Without the entrance ring, the VARIKA transforms into a semi-cavity nest box.

Suitable for a wide variety of bird species from tits to starlings.

Need a bird feeder for the winter?

Simply remove the front panel and the VARIKA transforms from a nest box into a spacious feeding station.



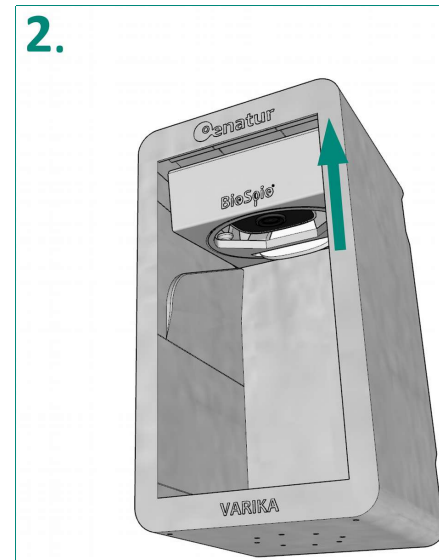
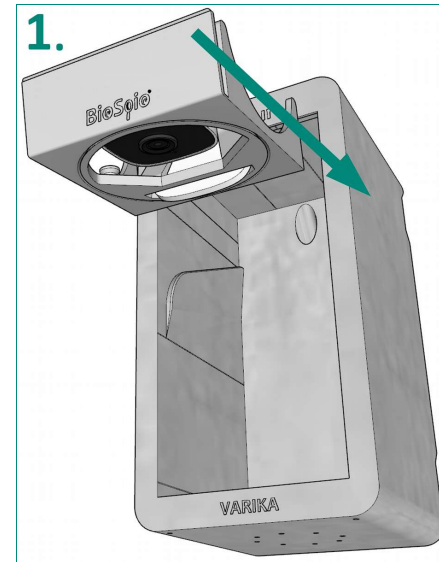


Patent Pending Camera Adapter

With our BioSpio® camera adapter, you can say goodbye to one-dimensional perspectives and simply change the viewing angle!

Thanks to the 360° rotatable camera platform, you can view the action from a different angle in an instant.

The camera adapter is fully compatible with a variety of popular Wi-Fi and security cameras.



BioSpio®

The camera and camera adapter can be easily inserted and removed with just one hand without any need for tools.

This makes it easy to upgrade the VARIKA with a camera later on.



Patented Anti-Dirt Ring

The use of a camera provides exciting visuals, but the lens tends to get dirty very quickly in nest boxes. If the nest box is occupied, it is usually impossible to clean the lens without scaring the birds away.

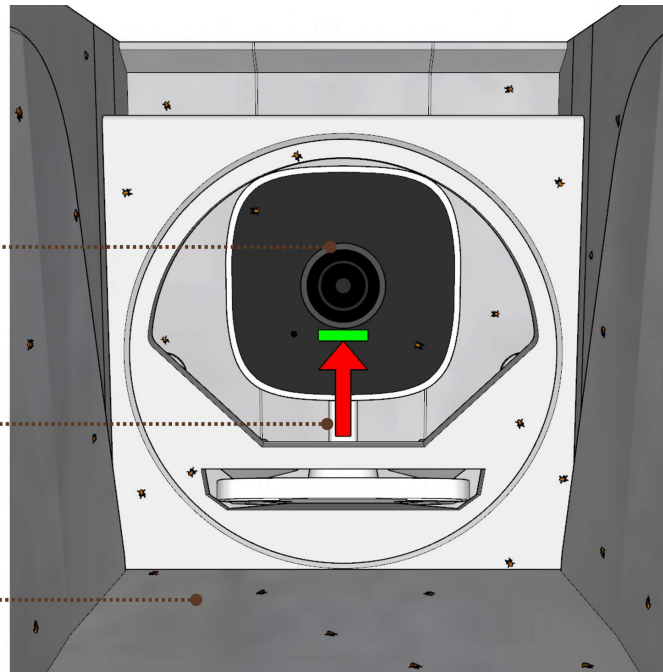
This dirt is caused by tiny bird mites, which are a common problem in camera nest boxes:
The tiny parasites keep crawling all over the camera lens.

This spreads fats from the feathers and other dirt onto the lens, which becomes increasingly cloudy. In addition, dust the birds stir up adheres to the lens, because of the sticky film of dirt, causing further clouding.

The PTFE BioSpio® mite barrier ring we have developed for the camera lens prevents the heavy buildup of dirt like this in the first place: If mites try to cross the barrier ring they simply fall off and fail to reach the lens.

BioSpio®

- 1. Anti-Dirt Ring**
Our special PTFE anti-dirt ring is a difficult barrier for bird mites to overcome.
- 2. Narrow Shaft**
The camera unit is largely isolated from the interior, and mites can only access it from one side.
- 3. Breathable Material**
Climate-regulating VARIKA fiber cement helps to reduce the mite population from the very start.



Bird mites are shown magnified in the illustration.

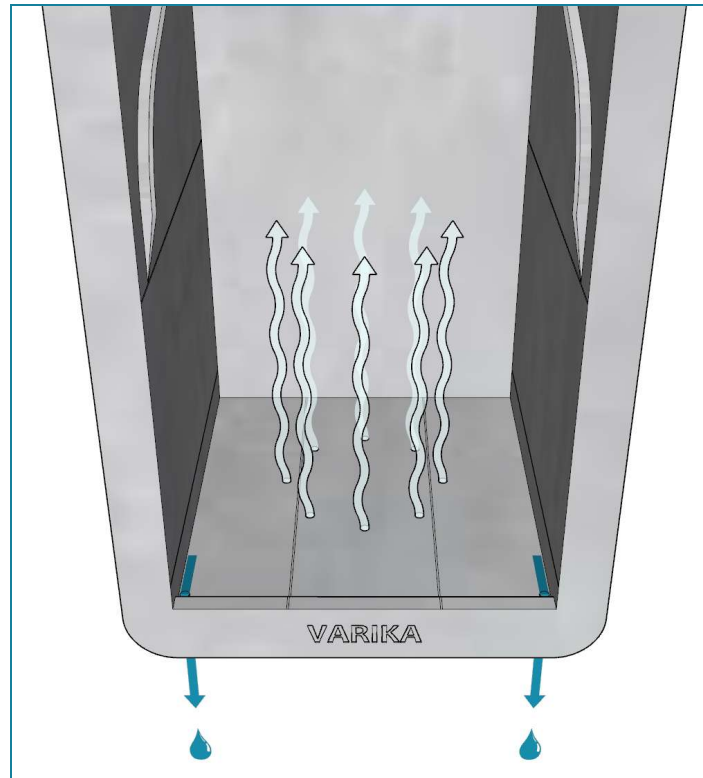
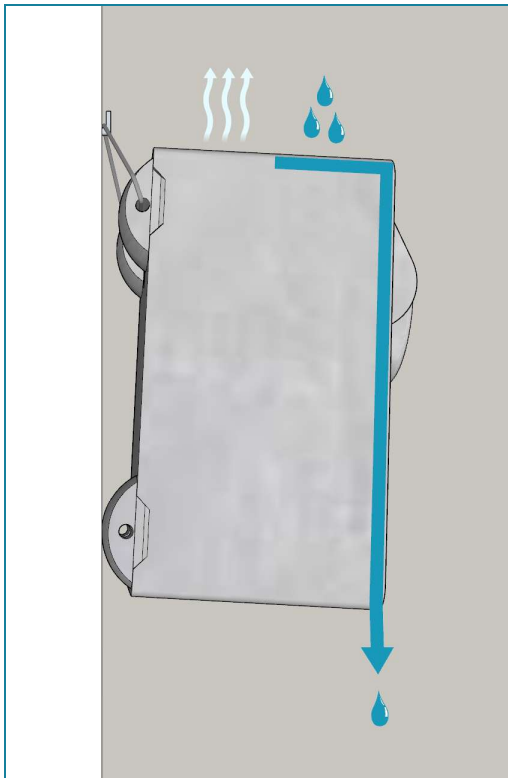


Perfect Climate In The Nest Box

Breathable fiber cement – exterior impregnated with natural linseed oil varnish – slight overhang of about 3° – 10 fine ventilation and drainage ducts: This ingenious combination eliminates the need to use paints containing potentially harmful or chemical components – out of our love for the environment and animal welfare.

The VARIKA stays dry on wet days and pleasantly cool on hot days: rainwater is channeled to the front, where it can drain away immediately through the front drainage ducts, while residual moisture evaporates quickly before it reaches the nest area.

The ability of the open-pore material to retain some of the moisture creates a cooling effect on hot days, stopping the interior from heating up too quickly for the fledglings.





Protection Against Nest Robbers

Showing its tough side

Fiber cement is generally considered to be very safe because its high resistance quickly discourages woodpeckers.

Added safety is provided by the complete range of BetoShield® entrance rings and the VARIKA front element, which are made of an extra hard concrete compound with no wood content.

With a hardness of 7 on the Mohs scale (10 = diamond), the higher quartz content makes life particularly difficult for woodpeckers.



Almost 7 inches (170 mm) of extra safety

Nest boxes with an entrance hole that is too close to the floor are less safe.

Smaller holes allow more than just woodpeckers to enter the nest box and get dangerously close to the fledglings.

The bottom of the entrance hole on the VARIKA nest box is 6.69 inches (170 mm) above the floor.

This also makes it more difficult for other predators like martens, raccoons, and cats to get dangerously close to the fledglings.

